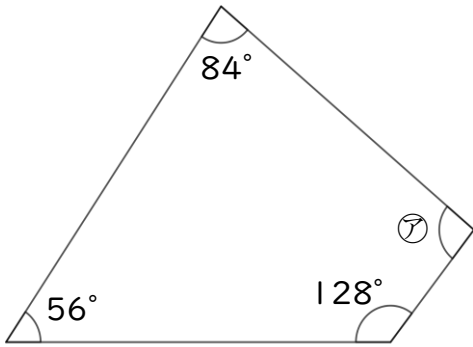


・次の図で、㉞~㉟の角度は何度ですか。計算で求めましょう。(各25点)

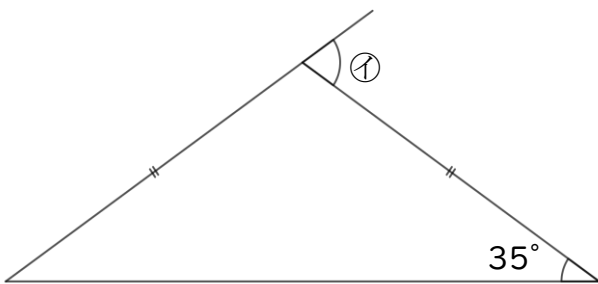
①



㉞ = _____

答え: _____

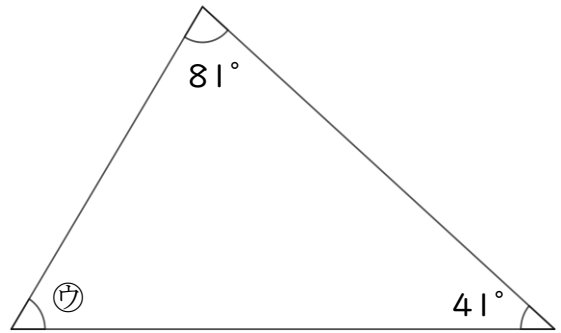
②



㉟ = _____

答え: _____

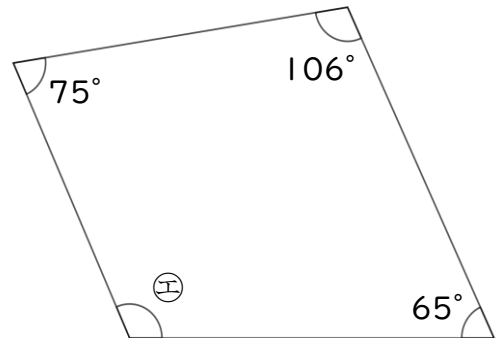
③



㊸ = _____

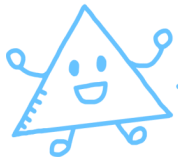
答え: _____

④



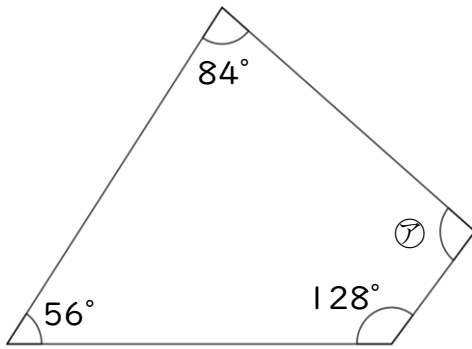
㊹ = _____

答え: _____



次の図で、㉞~㉟の角度は何度ですか。計算で求めましょう。(各25点)

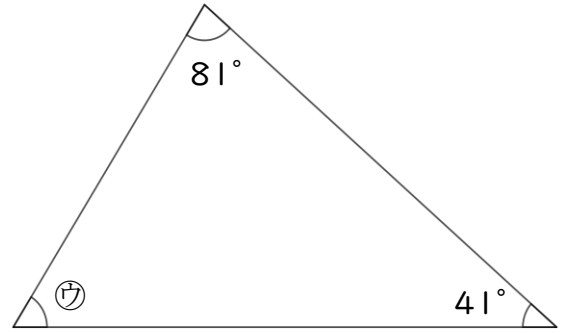
①



$$\begin{aligned} \textcircled{\text{㉞}} &= 360 - (84 + 56 + 128) \\ &= 360 - 268 \\ &= 92 \end{aligned}$$

答え: 92°

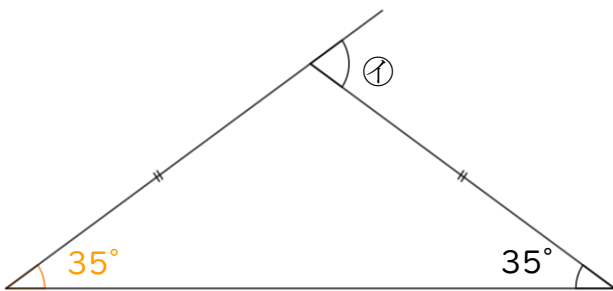
③



$$\begin{aligned} \textcircled{\text{㉞}} &= 180 - (81 + 41) \\ &= 180 - 122 \\ &= 58 \end{aligned}$$

答え: 58°

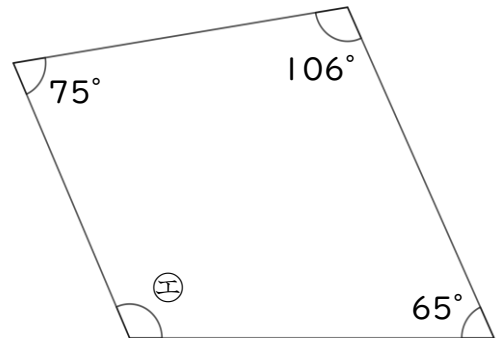
②



$$\begin{aligned} \textcircled{\text{㉞}} &= 35 + 35 \\ &= 70 \end{aligned}$$

答え: 70°

④



$$\begin{aligned} \textcircled{\text{㉟}} &= 360 - (75 + 106 + 65) \\ &= 360 - 246 \\ &= 114 \end{aligned}$$

答え: 114°