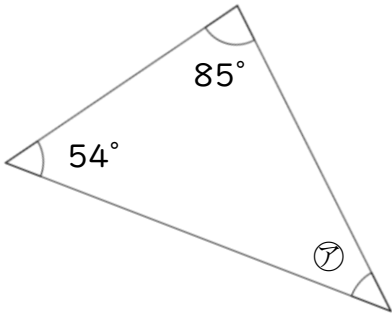


次の図で、㉞~㉟の角度は何度ですか。計算で求めましょう。(各25点)

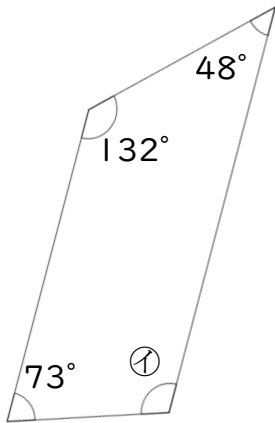
①



㉞ = _____

答え: _____

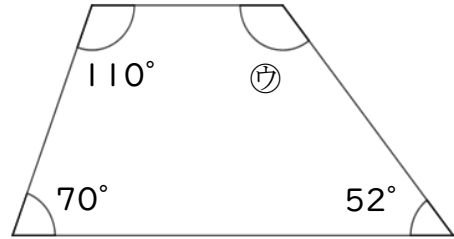
②



㉟ = _____

答え: _____

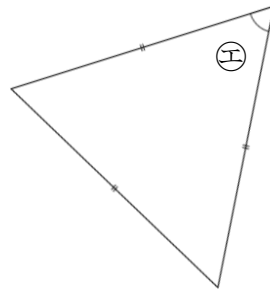
③



㊱ = _____

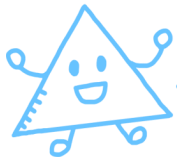
答え: _____

④



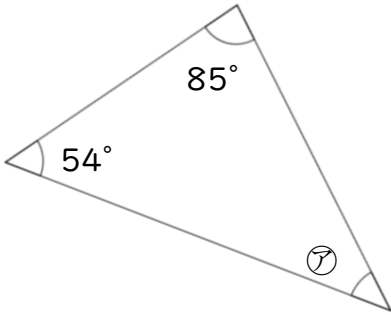
㊲ = _____

答え: _____



・次の図で、㉞~㉟の角度は何度ですか。計算で求めましょう。(各25点)

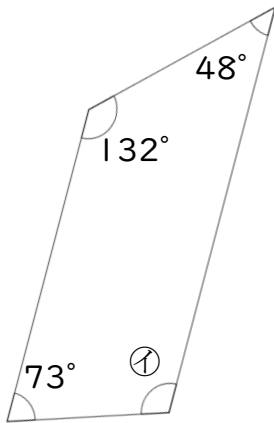
①



$$\begin{aligned} \textcircled{\text{㉞}} &= 180 - (54 + 85) \\ &= 180 - 139 \\ &= 41 \end{aligned}$$

答え： 41°

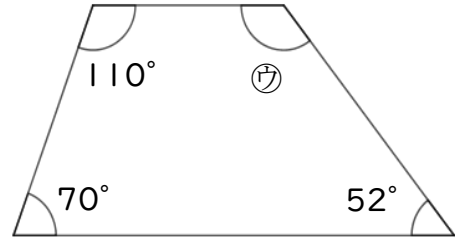
②



$$\begin{aligned} \textcircled{\text{㉟}} &= 360 - (132 + 73 + 48) \\ &= 360 - 253 \\ &= 107 \end{aligned}$$

答え： 107°

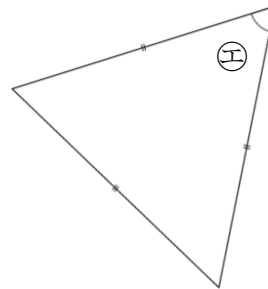
③



$$\begin{aligned} \textcircled{\text{㉟}} &= 360 - (110 + 70 + 52) \\ &= 360 - 232 \\ &= 128 \end{aligned}$$

答え： 128°

④



$$\begin{aligned} \textcircled{\text{㉟}} &= 180 \div 3 \\ &= 60 \end{aligned}$$

答え： 60°