

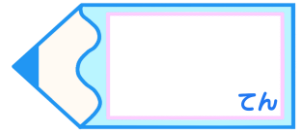


図形の角 8

● 平行四辺形や
ひし形の外角

16

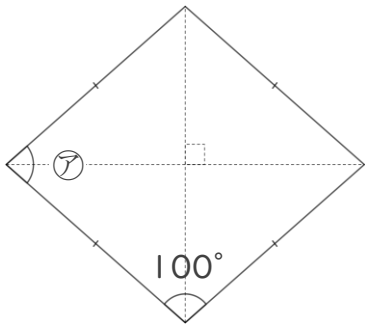
目指せ75点!



名まえ _____

・次の図で、㉞~㉟の角度は何度ですか。計算で求めましょう。(各25点)

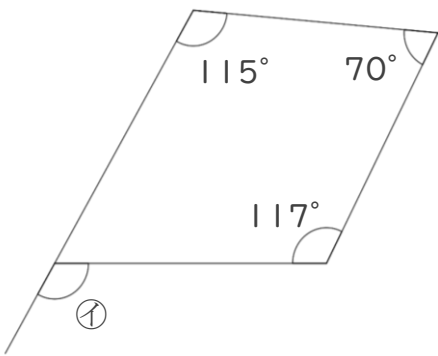
①



㉞ = _____

答え: _____

②

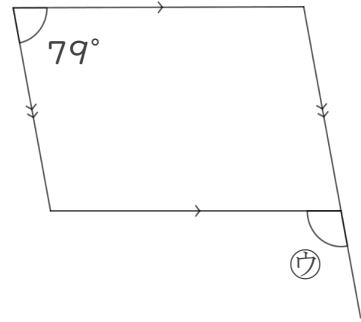


(A) = _____

㉟ = _____

答え: _____

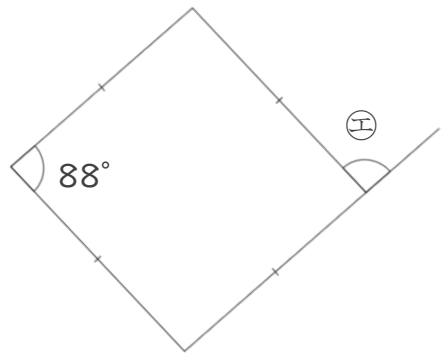
③



㉞ = _____

答え: _____

④



㉟ = _____

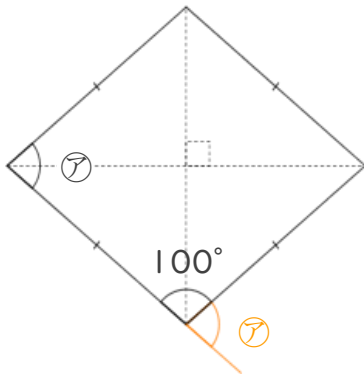
答え: _____



名まえ _____

・次の図で、㉞~㉟の角度は何度ですか。計算で求めましょう。(各25点)

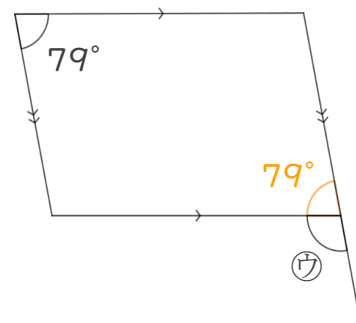
①



$$\begin{aligned} \textcircled{\text{ア}} &= 180 - 100 \\ &= 80 \end{aligned}$$

答え： 80°

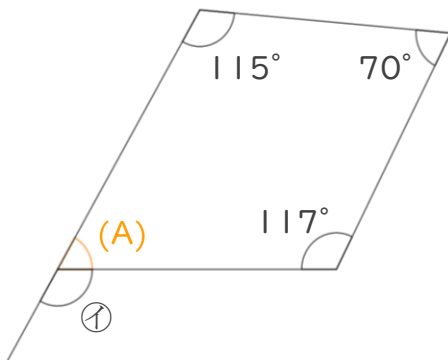
③



$$\begin{aligned} \textcircled{\text{ウ}} &= 180 - 79 \\ &= 101 \end{aligned}$$

答え： 101°

②

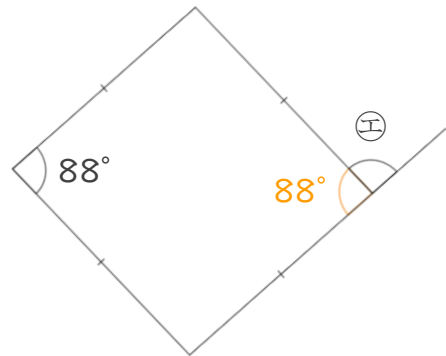


$$\begin{aligned} (A) &= 360 - (115 + 70 + 117) \\ &= 360 - 302 \\ &= 58 \end{aligned}$$

$$\begin{aligned} \textcircled{\text{イ}} &= 180 - 58 \\ &= 122 \end{aligned}$$

答え： 122°

④



$$\begin{aligned} \textcircled{\text{エ}} &= 180 - 88 \\ &= 92 \end{aligned}$$

答え： 92°