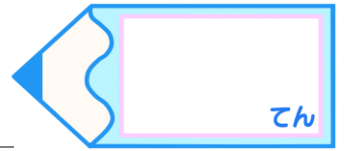


図形の角 4

● 正三角形や  
二等辺三角形の外角

16

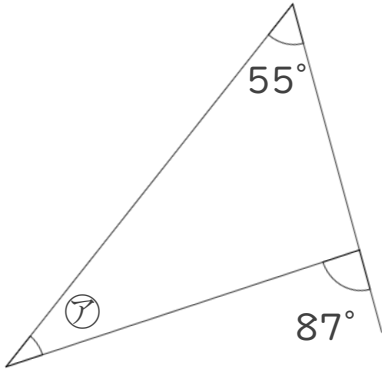
目指せ75点!



名まえ \_\_\_\_\_

・次の図で、㉗~㉝の角度は何度ですか。計算で求めましょう。(各25点)

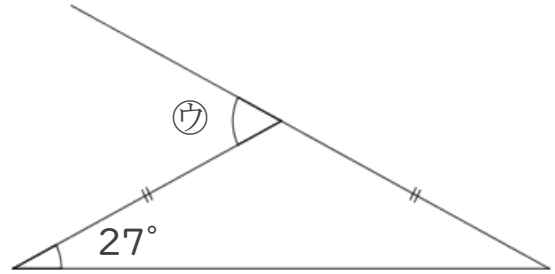
①



㉗ = \_\_\_\_\_

答え: \_\_\_\_\_

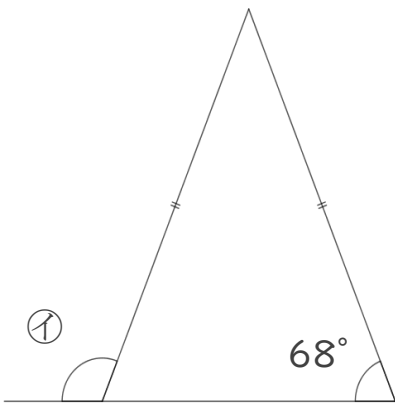
③



㉘ = \_\_\_\_\_

答え: \_\_\_\_\_

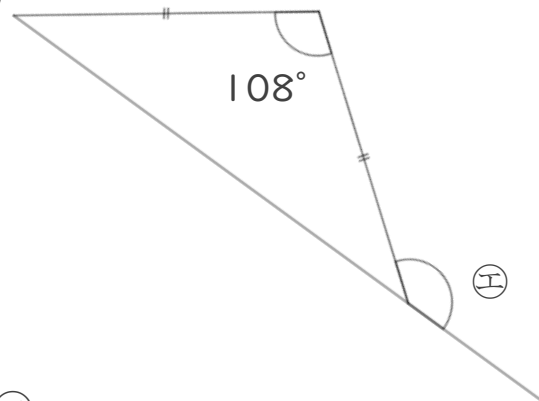
②



㉙ = \_\_\_\_\_

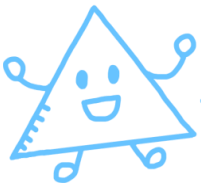
答え: \_\_\_\_\_

④



㉚ = \_\_\_\_\_

答え: \_\_\_\_\_

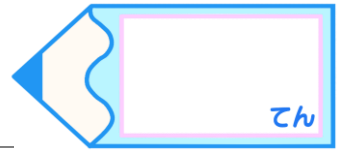


### 図形の角 4

● 正三角形や  
二等辺三角形の外角

16

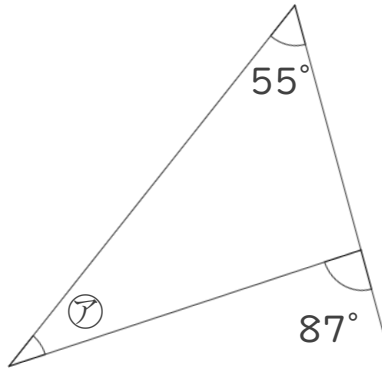
目指せ75点!



名まえ

・次の図で、㉗~㉞の角度は何度ですか。計算で求めましょう。(各25点)

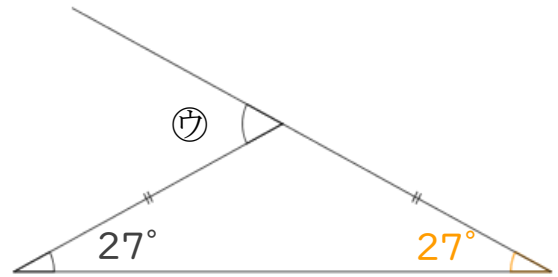
①



$$\begin{aligned} \textcircled{㉗} &= 87 - 55 \\ &= 32 \end{aligned}$$

答え: 32°

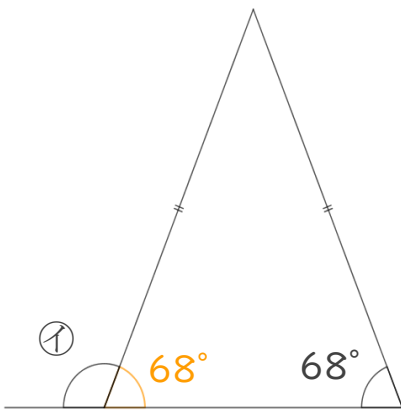
③



$$\begin{aligned} \textcircled{㉘} &= 27 + 27 \\ &= 54 \end{aligned}$$

答え: 54°

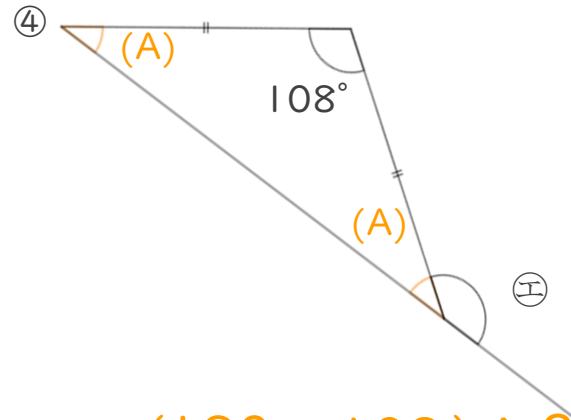
②



$$\begin{aligned} \textcircled{㉙} &= 180 - 68 \\ &= 112 \end{aligned}$$

答え: 112°

④



$$\begin{aligned} (A) &= (180 - 108) \div 2 \\ &= 36 \end{aligned}$$

$$\begin{aligned} \textcircled{㉚} &= 180 - 36 \\ &= 144 \end{aligned}$$

答え: 144°